

# TROUBLESHOOTING

PROBLEM	POSSIBLE CAUSE	SOLUTION
Light will not turn on.	A. Light switch is turned off. B. Fuse is blown or circuit breaker is turned off. C. Incorrect wiring of the fixture.	A. Turn light switch on. B. Replace fuse or check circuit breaker to ensure it is on. C. Verify that fixture is wired properly.
Lights come on during the day.	A. Photocell is covered or dirty.	A. Clean photocell with damp cloth.

### FCC WARNING:

**WARNING:** Changes or modifications to this unit not expressly approved by the party responsible for compliance could void the user authority to operate the equipment.

\*\*\*\*\*

**NOTES:** This equipment has been tested and found to comply with the limits for a class B digital device, pursuant to part 15 of the FCC rules. These limits are designed to provide reasonable protection against harmful interference in a residential installation. This equipment generates, uses and can radiate radio frequency energy and, if not installed and used in accordance with the instructions, may cause harmful interference to radio communications.

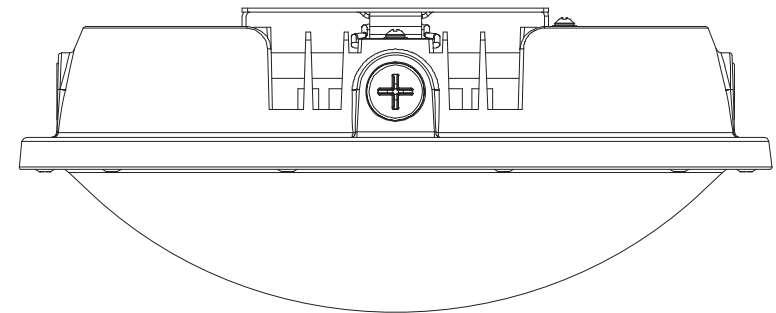
However, there is no guarantee that interference will not occur in a particular installation. If this equipment does cause harmful interference to radio or television reception, which can be determined by turning the equipment off and on, the user is encouraged to try to correct the interference by one or more of the following measures:

- Reorient or relocate the receiving antenna.
- Increase the separation between the equipment and receiver.
- Connect the equipment into an outlet on a circuit different from that to which the receiver is connected.
- Consult the dealer or an experienced radio/TV technician for help.

### CONGRATULATIONS ON YOUR PURCHASE OF THIS LED WALL-MOUNTED FIXTURE

This light includes an integrated photocell which activates the light during low illumination (at dusk) and de-activates the light when illuminated (at dawn).

	LUX	PHOTOCELL	FIXTURE
<b>DUSK</b>	< 60 LUX	ACTIVATES	ON
	60 - 280 LUX	NO ACTION	ON
<b>DAWN</b>	> 280 LUX	ACTIVATES	OFF
	280 - 60 LUX	NO ACTION	OFF



### LED PARKING GARAGE LIGHT

PGCR-40W-277-C10-XXX  
 PGCR-60W-277-C10-XXX  
 PGCR-80W-277-C10-XXX

### USE AND CARE GUIDE

© 2019 Energizer. Eveready and certain graphic designs are trademarks of Energizer Brands, LLC and related subsidiaries and are used under license by BravoLED Industrial Co., Ltd. All other brand names are trademarks of their respective owners. Neither BravoLED Industrial Co., Ltd. nor Energizer Brands, LLC is affiliated with the respective owners of their trademarks.

## SAFETY INFORMATION

### IMPORTANT WARNING

We highly recommend that all installations are made by a licensed electrical contractor. We are not responsible in whole or in part for any harm or damage that may or may not be caused. We reserve the right to revise the components of any product, due to part availability or change in ETL, CUL or UL standards without assuming any obligation or liability to modify any products previously manufactured and without notice. These instructions do not cover all details of variations in equipment, nor do they provide for every possible contingency to be met. Turn off / unplug power before installing or servicing this fixture. Check to make sure power is off before working on the fixture. After installation, seal the entire edge of the fixture with caulk to prevent water from entering into the fixture.

**WARNING:** Read all safety precautions and installation instructions carefully before installing or servicing this fixture. Failure to comply with these instructions could result in a potentially fatal electric shock and/or property damage.

- To reduce the risk of electrical shock or other personal injury, ensure the power is turned off at the fuse or breaker box before making any electrical connections.
- For outdoor use only.
- Must be connected to 120-277 volt, 60 Hz power source.
- Fixture should be mounted to a grounded junction box marked for use in wet locations.
- Suitable for wall mount.
- Not suitable for ground locations. Minimum of 4 feet or higher.
- This fixture should be installed by a qualified electrician or person experienced with household wiring. The electrical system, and method of electrical connection of the fixture, must be in accordance with the national electrical code and local building codes.

### SUITABLE FOR WET LOCATIONS

CONSULT A QUALIFIED ELECTRICIAN TO ENSURE CORRECT BRANCH CIRCUIT CONDUCTOR.

MINIMUM 90° C SUPPLY CONDUCTORS

THIS PRODUCT MUST BE INSTALLED IN ACCORDANCE WITH THE APPLICABLE INSTALLATION CODE BY A PERSON FAMILIAR WITH THE CONSTRUCTION AND OPERATION OF THE PRODUCT AND THE HAZARDS INVOLVED.

## PRE-INSTALLATION

### PLANNING INSTALLATION

- Carefully remove the fixture from the carton and check that all parts are included. Be careful not to misplace any of the screws or parts needed for installing the fixture.

### HARDWARE INCLUDED (note: some parts may be pre-assembled)



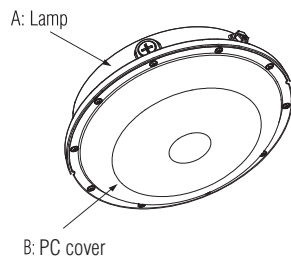
AA:  
Wire nuts (3)



BB:  
EVA gasket



CC:  
Mounting screws (2)



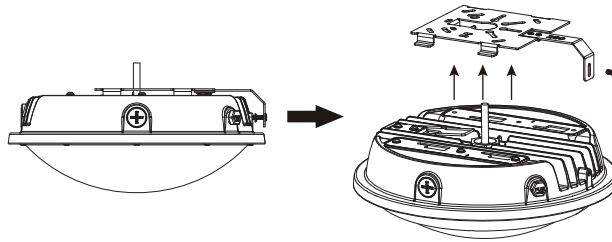
### PARTS

A - Lamp

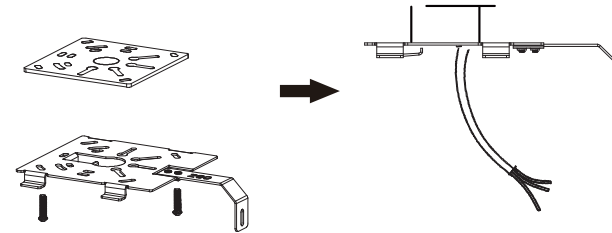
B - PC cover

## INSTALLATION

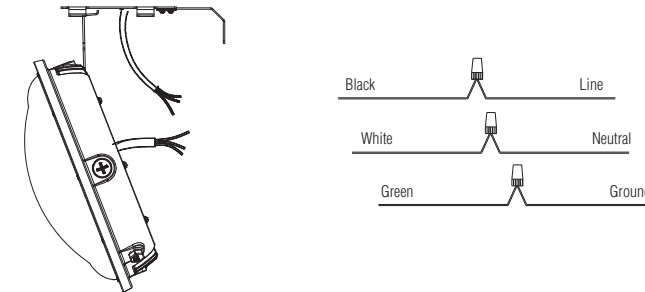
### SURFACE MOUNT



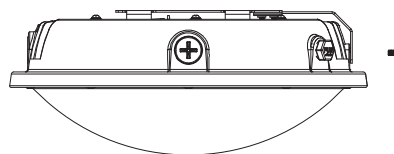
1. Remove screws to take out the mounting bracket.



2. Place the EVA (ethylene-vinyl acetate) gasket to the mounting bracket then fasten it to the j-box or pole with screws.



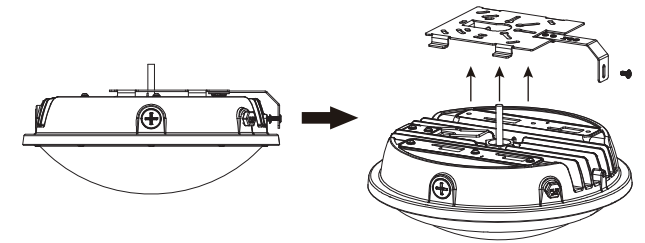
3. Hang the fixture with the ring to the mounting bracket and connect wires as shown.



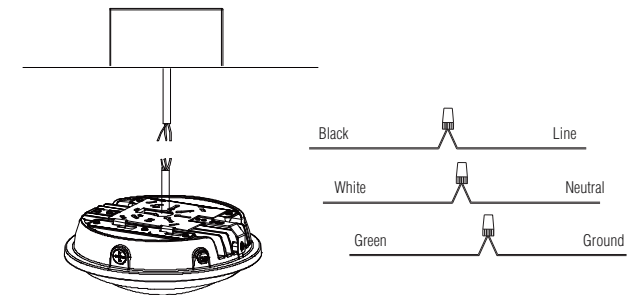
4. Attach the fixture to the mounting bracket and tighten screws.

## INSTALLATION

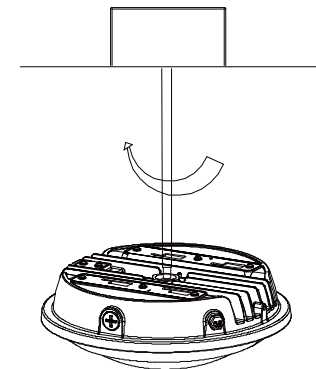
### CONDUIT MOUNT



1. Remove screws to take out the mounting bracket.



2. Connect wire as shown.



3. Tighten the conduit into luminaire.