



Date

Project

Type

Flood light

ND-FL30N-L050W-277V-50

FEATURES

| | |
|----------------|------------------------|
| Model #: | ND-FL30N-L050W-277V-50 |
| CCT: | 5000 K |
| Voltage: | 100-277 Vac |
| Wattage: | 50 W |
| Light Output: | 6907.04 lm |
| Efficacy (AC): | 129.4 lm/W |

| | |
|----------------------|------------|
| Light Source Type: | SMD3030 |
| CRI: | >72.3 Ra |
| Beam Angle: | 110° |
| Working Temperature: | -40-104° F |
| Power Factor: | 0.981 |
| THD: | <15% |

Order Information



FL30N



Wattage



Input Voltage



CCT

FL30 - Product Series

N - Non-isolated

10 W
30 W
50 W
80 W

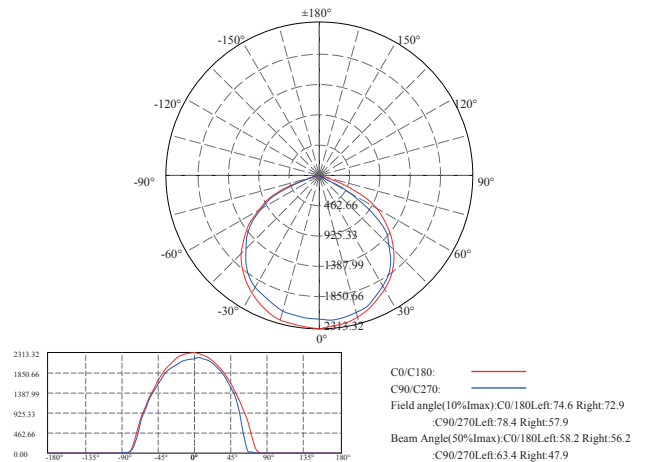
277: 100-277 Vac

50 K - 5000 K

Lux Chart/Photometrics

| | | |
|---------|--------------------|-----------|
| 3.28ft | 2313.3 , 1846.7 lx | 10.26 ft |
| 6.56ft | 578.3 , 461.7 lx | 20.51 ft |
| 9.84ft | 257.0 , 205.2 lx | 30.77 ft |
| 13.12ft | 144.6 , 115.4 lx | 41.03 ft |
| 16.4ft | 92.5 , 73.9 lx | 51.29 ft |
| 19.68ft | 64.3 , 51.3 lx | 61.54 ft |
| 22.97ft | 47.2 , 37.7 lx | 71.80 ft |
| 26.25ft | 36.1 , 28.9 lx | 82.06 ft |
| 29.53ft | 28.6 , 22.8 lx | 92.31 ft |
| 32.81ft | 23.1 , 18.5 lx | 102.57 ft |

Max , Ave Beam angle of C0plane114.73



ETL Listing: 4007551



DLC Primary Use: Architectural Flood and Spot Luminaires



IESNA LM-79 & IESNA LM-80 Testing:

This product has been tested by an independent laboratory in accordance with IESNA LM-79 and 80, and have received the department of energy "lighting facts" label.

Bronze Finish:

Environmentally friendly polyester powder coatings are formulated for high-durability and long-lasting color, and contain no VOC or toxic heavy metals.

Green Technology:

Mercury and UV free RoHS compliant components polyester powder coat finish formulated without the use of VOC or toxic heavy metals.



Fixture operation and paint finish are covered for a period of 5 years.

IP Rating: IP65 rated



LED Characteristics

LEDs:

Discreet LEDs on PCB board

Color Stability:

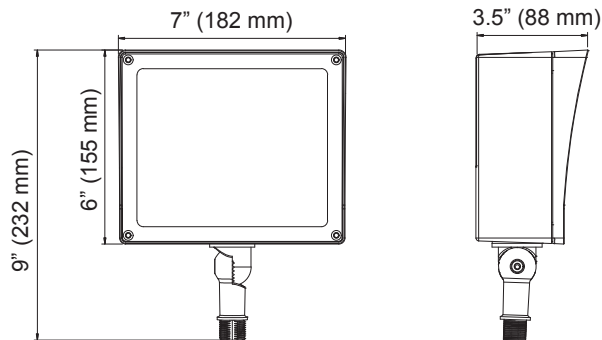
Comply with DLC's requirements.

Color Uniformity

CCT (correlated color temperature) follows the guidelines of the American National Standard for specifications for the chromaticity of solid state lighting (SSL) products, ANSI C78.377-2015.

Driver: Class 2, constant current, 100-277V, 50-60Hz

Dimension:



Weight: 3.72 Lbs (1.69 Kg)

Housing:



Precision die-cast aluminum housing.

Tempered glass

1/2" Knuckle Installation:

