



Date

Project

Type

## Flood light

**ND-FL30N-L030W-277V-50**

### FEATURES

Model #:	ND-FL30N-L030W-277V-50
CCT:	5000 K
Voltage:	100-277 Vac
Wattage:	30 W
Light Output:	3660.5 lm
Efficacy (AC):	128.8 lm/W

Light Source Type:	SMD3030
CRI:	>74 Ra
Beam Angle:	110°
Working Temperature:	-40-104° F
Power Factor:	0.983
THD:	<15%

### Order Information



**FL30N**



**Wattage**



**Input Voltage**



**CCT**

**FL30** - Product Series

**N** - Non-isolated

**10 W**  
**30 W**  
**50 W**  
**80 W**

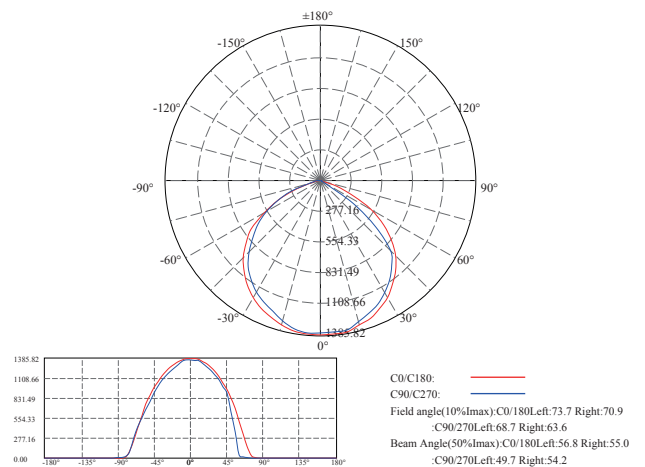
**277:** 100-277 Vac

**50 K** - 5000 K

### Lux Chart/Photometrics

3.28ft	1385.8 , 1111.0 lx	9.84 ft
6.56ft	346.5 , 277.7 lx	19.68 ft
9.84ft	154.0 , 123.4 lx	29.53 ft
13.12ft	86.6 , 69.4 lx	39.37 ft
16.4ft	55.4 , 44.4 lx	49.21 ft
19.68ft	38.5 , 30.9 lx	59.05 ft
22.97ft	28.3 , 22.7 lx	68.89 ft
26.25ft	21.7 , 17.4 lx	78.74 ft
29.53ft	17.1 , 13.7 lx	88.58 ft
32.81ft	13.9 , 11.1 lx	98.42 ft

Max , Ave Beam angle of C22.5plane112.58



ETL Listing: 4007551



DLC Primary Use: Architectural Flood and Spot Luminaires



**IESNA LM-79 & IESNA LM-80 Testing:**

This product has been tested by an independent laboratory in accordance with IESNA LM-79 and 80, and have received the department of energy "lighting facts" label.

**Bronze Finish:**

Environmentally friendly polyester powder coatings are formulated for high-durability and long-lasting color, and contain no VOC or toxic heavy metals.

**Green Technology:**

Mercury and UV free RoHS compliant components polyester powder coat finish formulated without the use of VOC or toxic heavy metals.



Fixture operation and paint finish are covered for a period of 5 years.

IP Rating: IP65 rated



**LED Characteristics**

**LEDs:**

Discreet LEDs on PCB board

**Color Stability:**

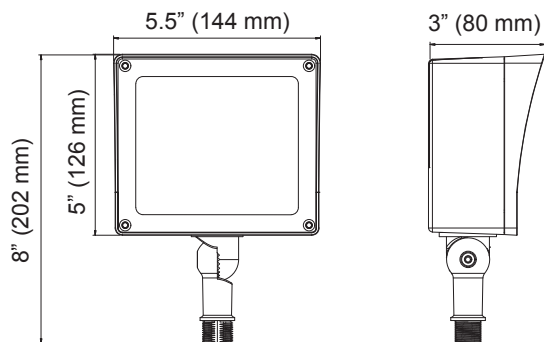
Comply with DLC's requirements.

**Color Uniformity**

CCT (correlated color temperature) follows the guidelines of the American National Standard for specifications for the chromaticity of solid state lighting (SSL) products, ANSI C78.377-2015.

Driver: Class 2, constant current, 100-277V, 50-60Hz

**Dimension:**



Weight: 2.27 Lbs (1.03 Kg)

**Housing:**



Precision die-cast aluminum housing.

Tempered glass

**1/2" Knuckle Installation:**

